

# 620 SR

# FAAC

## **automatic barrier for beams up to 3 m**



### **USE VERSATILITY**

The "rapid" version of the FAAC 620 SR offers the continuity solution to the traffic problem. It enables uninterrupted use frequency thanks to real-time detection of oil temperature. For barriers of up to 3 metres in length, opening time is under 2 seconds.

### **TOTALLY FLEXIBLE**

The FAAC 620 SR range is equipped with adjustable opening and closing electronic deceleration.

### **LONG TERM RELIABILITY**

Use of cutting-edge materials and treatments such as cataphoresis and nipro, plus tried-and-tested FAAC hydraulic technology, all combine to ensure long-life.

### **LEADING-EDGE TECHNOLOGY**

SMT microprocessor electronic technology is supplied standard to ensure exceptional performance. By means of an optional board, the barrier can also control auxiliary services and an additional opposing beam. Barrier statuses can be signalled to traffic control devices.

### **ELECTRONIC INTELLIGENCE**

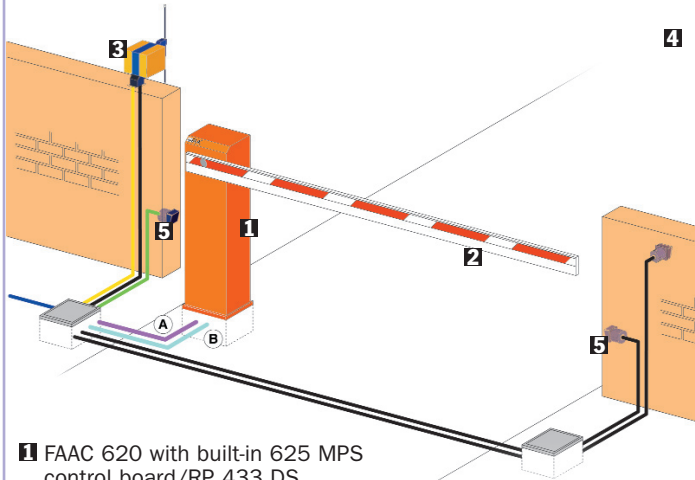
The electronic intelligence of the 620 range functions by means of three differentiated logics: automatic, semi-automatic and parking (P) - the latter was expressly designed for automatic parking systems.

### **SPECIFICATIONS**

Automatic barrier for beams up to 3 m • Use frequency 100% • Opening/closing time 0.8s (models 0.8/0.8) or 2.2 s (models 0.8/2.2) • Activation system comprising hydraulic pump unit, adjustable pistons with hydraulic deceleration, equaliser and transmission shaft • Balancing by compression spring • Internal stops adjustable for open or closed beam positions • Load bearing housing in steel protected by cataphoresis treatment and polyester powder paint RAL 2004 • Overall dimensions (L x W x H) 200x380x1080 mm • Protection class IP 44 • Release device accessible from the outside by triangular or customised key (optional) • Hydraulic pump unit with opening and closing hydraulic locking • Electric motor power supply 230 V (+6% -10%) - 50(60) Hz • Electric motor power 220 W • Thermal protection at 130°C built into motor winding • Operating ambient temperature -20°C +55°C • Single-phase motor with two rotation directions (2.800 RPM) • Hydraulic gerotor pump (max low noise) • Pump flow rate 3 l/m • Die-cast distribution flange • Separate control of opening and closing force by by-pass valves - Anti-crushing safety • Tank in anodised aluminium • Mineral hydraulic oil with additives • Adjustable hydraulic deceleration • Adjustable deceleration angle by cams • One- or two-fan ventilation • Designed to accommodate standard rectangular, round, pivoting round beams • Built-in electronic control equipment



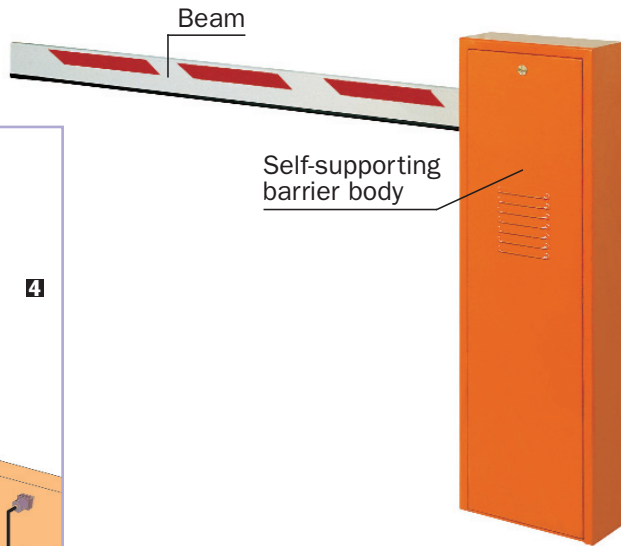
## INSTALLATION LAYOUT



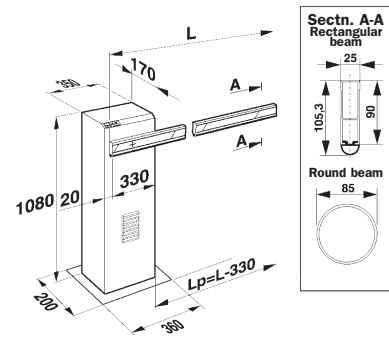
- 1 FAAC 620 with built-in 625 MPS control board/RP 433 DS
- 2 Beam
- 3 FAAC LIGHT
- 4 FAAC T10
- 5 FAAC FOTOSWITCH

Low voltage cabling		Power cabling (230V)	
A	3 cables 3x0.5	B	1 cable 2x1.5+T
	1 cable 2x0.5		1 cable 2x1.5

N.B: Cable diameters in mm<sup>2</sup>



## Dimensions



**L = Beam length**  
**LP = Transit space length**

Values in mm

## Technical characteristics

Technical characteristics	620 SR LH/RH
Power supply	230 V~ (+6% -10%) 50 (60) Hz
Electric motor	Single-phase, bi-directional
Absorbed power	220W
Absorbed current	1A
Motor rotation speed	2.800 rpm
Pump flow rate	3 l/min
Thermal protection on motor winding	130°C
Electronic deceleration	Adjustable with cams
Operating ambient temperature	-20°C +55°C
Weight	80 kg
Type of oil	FAAC OIL XD 220
Barrier body treatment	Cataphoresis
Paint	RAL 2004 polyester/stainless-steel
Protection class	IP 44
Cooling	Forced air
Type of beam	rectangular - round - pivoting round

Model	Use		
	Beam max. length (m)	Opening time (s)	Use frequency (%)
620 SR LH/RH	3,00	op. cl. 0.8/0,8 op. cl. 0.8/2,2	100

## Technical characteristics of 625 MPS control board

Power supply	230 V ~ (+6% -10%) 50 Hz
Motor maximum load	220W
Accessories output	24 Vdc 500 mA max
Operating ambient temperature	-20°C + 55°C
Three protection fuses	0.25 A transformer - 5 A motor - 1.6 A accessories
Enclosure dimensions	174x178x102 mm (LxHxD)
Protection class	IP 55

# FAAC

FAAC S.p.A. via Benini, 1  
40069 Zola Predosa - Bologna (Italy)  
Tel. +39 051 61724 • Fax +39 051 758518  
www.faacgroup.com

